

Worm gear drive unit

Worm gear drive unit S

The S 20 and S 24 drive units with self-locking worm gear (at standstill) secure the load in any position and can be used universally.

The spectrum ranges from applications in constructions for moving or rotating loads, as gearboxes for rope drums, for sprockets, or as a rotary drive.

Equipment and processing

- Enclosed housing for the protection of parts inside
- Enclosed and precisely machined gear for little effort and a long service life
- Ratio 20:1 and 24:1

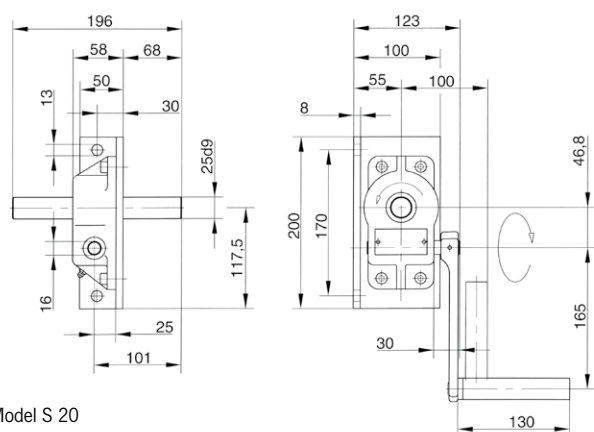


Model S 20

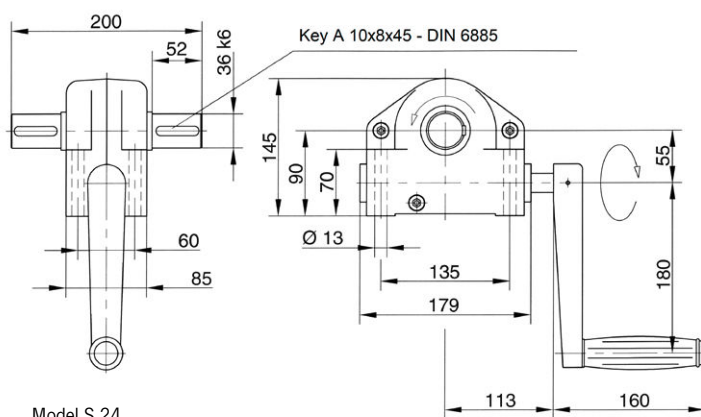
Model S 24

Technical data

Model	Art. no.	Ratio	Drive torque [daNm]	Req. crank effort [daN]	Shaft length [mm]	Shaft-Ø [mm]
S 20	32626004	20:1	12	16	196	25
S 24	32626020	24:1	36	22	200	36



Model S 20



Model S 24