

## Yale*lift* 360

### YLLH – Hand chain hoist with integrated push or with integrated geared trolley (low headroom)

#### Capacity 500 - 10000 kg

The hand chain hoist Yale*lift* LH with integrated low headroom manual trolley is the consequent further development of the Yale*lift* IT. Wherever an even smaller headroom is essential, the Yale*lift* LH is the ideal choice.

#### Features

- The specially developed chain reeving system and chain guide allow the bottom block to be pulled laterally to the hoist even further up and almost against the beam flange.
- The integrated design of the innovative Yale*lift* LH uses the same manual trolleys as incorporated in the Yale*lift* IT series.
- All units of this series up to a capacity of 3000 kg are built with a single chain fall.
- The approved and almost stepless adjustment system of the trolley enables the simple and quick assembly due to adjusting nuts.
- Trolleys up to 5t capacity are offered for two beam ranges; range A for a flange width of up to 180 mm is standard and covers approx. 80% of all applications. Conversion to range B for beam width up to 300 mm can be easily accomplished.
- The trolley wheels are designed for a max. beam profile incline of 14% (DIN 1025-part 1), excellent rolling features are guaranteed by pre-lubricated, encapsulated ball bearings.
- The low headroom version of the Yale*lift* IT is adjustable to fit a wide range of beam profiles (e.g. INP, IPE, IPB).
- Anti-drop and anti-tilt devices as standard.

#### Optional

- Adjustable overload protection device.
- Chain container
- Rubber buffers
- Corrosion resistant version.
- Beam locking device to secure the unloaded hoist with integrated trolley in a fixed position on the beam (park position e.g. on ships).



**360°**

**EXPERIENCE THE  
ADVANTAGE OF 360°**



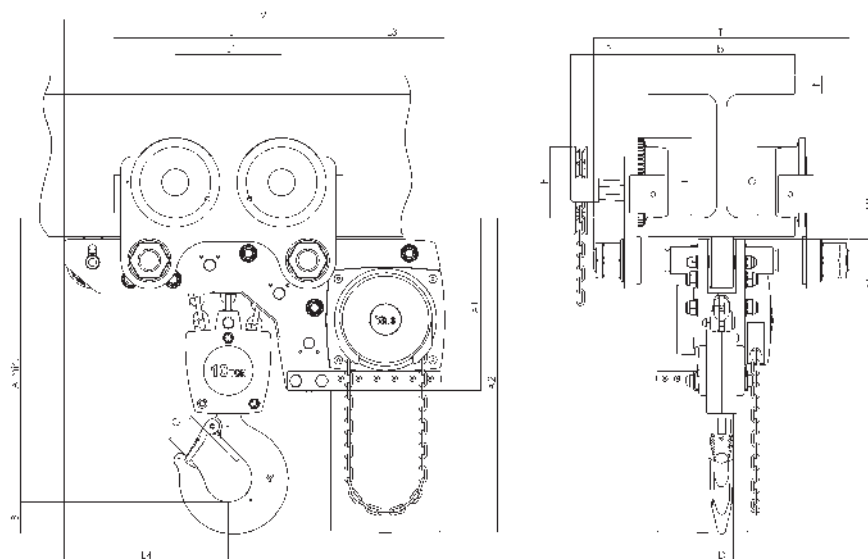
We are pleased to send you our new Atex catalogue in PDF format.

## Technical data Yale/lift LHP - with integrated push trolley

| Model      | Art-No.   | Capacity in kg/<br>Number of chain falls | Size | Beam flange width<br>b<br>mm | Beam flange thickness<br>t max.<br>mm | Curve radius min.<br>m | Weight at standard lift<br>(3 m)<br>kg |
|------------|-----------|--|------|------------------------------|---------------------------------------|------------------------|--|
| YLLHP 500  | N05600017 | 500/1                                    | A    | 60 - 180                     | 19                                    | 0.9                    | 27                                     |
| YLLHP 1000 | N05600018 | 1000/1                                   | A    | 70 - 180                     | 19                                    | 0.9                    | 35                                     |
| YLLHP 2000 | N05600019 | 2000/1                                   | A    | 82 - 180                     | 19                                    | 1.15                   | 61                                     |
| YLLHP 3000 | N05600020 | 3000/1                                   | A    | 100 - 180                    | 19                                    | 1.5                    | 107                                    |
| YLLHP 5000 | N05600021 | 5000/2                                   | A    | 110 - 180                    | 27                                    | 2.0                    | 152                                    |
| YLLHP 500  | –         | 500/1                                    | B    | 180 - 300                    | 19                                    | 0.9                    | 27                                     |
| YLLHP 1000 | –         | 1000/1                                   | B    | 180 - 300                    | 19                                    | 0.9                    | 36                                     |
| YLLHP 2000 | –         | 2000/1                                   | B    | 180 - 300                    | 19                                    | 1.15                   | 62                                     |
| YLLHP 3000 | –         | 3000/1                                   | B    | 180 - 300                    | 19                                    | 1.4                    | 109                                    |
| YLLHP 5000 | –         | 5000/2                                   | B    | 180 - 300                    | 27                                    | 1.8                    | 156                                    |

## Technical data Yale/lift LHG - with integrated geared trolley

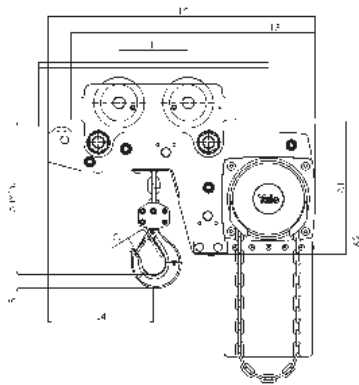
| Model       | Art-No.   | Capacity in kg/<br>Number of chain falls | Size | Beam flange width<br>b<br>mm | Beam flange thickness<br>t max.<br>mm | Curve radius min.<br>m | Weight at standard lift<br>(3 m)<br>kg |
|-------------|-----------|--|------|------------------------------|---------------------------------------|------------------------|--|
| YLLHG 500   | N05600022 | 500/1                                    | A    | 60 - 180                     | 19                                    | 0.9                    | 31                                     |
| YLLHG 1000  | N05600023 | 1000/1                                   | A    | 70 - 180                     | 19                                    | 0.9                    | 40                                     |
| YLLHG 2000  | N05600024 | 2000/1                                   | A    | 82 - 180                     | 19                                    | 1.15                   | 65                                     |
| YLLHG 3000  | N05600025 | 3000/1                                   | A    | 100 - 180                    | 19                                    | 1.5                    | 112                                    |
| YLLHG 5000  | N05600026 | 5000/2                                   | A    | 110 - 180                    | 27                                    | 2.0                    | 157                                    |
| YLLHG 10000 | 192038865 | 10000/3                                  | A    | 125 - 210                    | 40                                    | 1.8                    | 230                                    |
| YLLHG 500   | –         | 500/1                                    | B    | 180 - 300                    | 19                                    | 0.9                    | 32                                     |
| YLLHG 1000  | –         | 1000/1                                   | B    | 180 - 300                    | 19                                    | 0.9                    | 41                                     |
| YLLHG 2000  | –         | 2000/1                                   | B    | 180 - 300                    | 19                                    | 1.15                   | 67                                     |
| YLLHG 3000  | –         | 3000/1                                   | B    | 180 - 300                    | 19                                    | 1.4                    | 114                                    |
| YLLHG 5000  | –         | 5000/2                                   | B    | 180 - 300                    | 27                                    | 1.8                    | 161                                    |
| YLLHG 10000 | N05600027 | 10000/3                                  | B    | 190 - 310                    | 40                                    | 1.8                    | 232                                    |



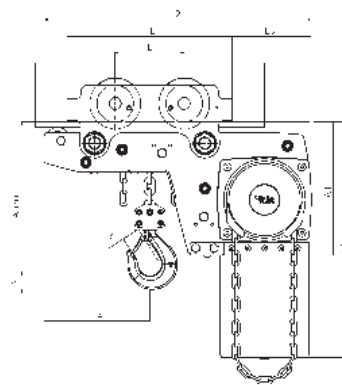
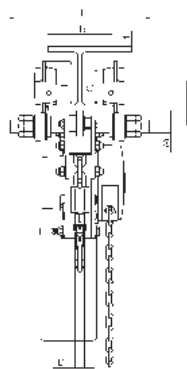
Yale/lift LHG, 10000 kg, three falls

Dimensions Yalelift LH

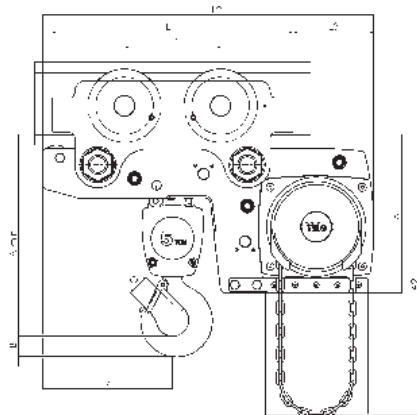
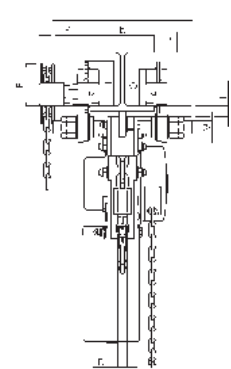
| Model                  | YLLH 500 | YLLH 1000 | YLLH 2000 | YLLH 3000 | YLLH 5000 | YLLH 10000 |
|------------------------|----------|-----------|-----------|-----------|-----------|------------|
| A min., mm             | 188      | 211       | 264       | 316       | 425       | 565        |
| A1, mm                 | 223      | 250       | 289       | 346       | 345       | 365        |
| A2, mm                 | 381      | 427       | 511       | 614       | 612       | 665        |
| B, mm                  | 17       | 22        | 30        | 38        | 45        | 68         |
| C, mm                  | 24       | 29        | 35        | 40        | 47        | 68         |
| D, mm                  | 14       | 19        | 22        | 30        | 37        | 50         |
| F (Geared trolley), mm | 92       | 92        | 91        | 107       | 150       | 150        |
| H1, mm                 | 24       | 24        | 24        | 32        | 31        | 45         |
| I (Push trolley), mm   | 72       | 72        | 96        | 131       | 143       | -          |
| I (Geared trolley), mm | 77       | 77        | 98        | 133       | 149       | 170        |
| L, mm                  | 270      | 310       | 360       | 445       | 525       | 485        |
| L1, mm                 | 130      | 130       | 150       | 180       | 209       | 225        |
| L2, mm                 | 444      | 488       | 582       | 690       | 720       | 805        |
| L3, mm                 | 124      | 135       | 172       | 203       | 175       | 215        |
| L4, mm                 | 184      | 201       | 230       | 265       | 283       | 348        |
| M, mm                  | M 18     | M 22      | M 27      | M 30      | M 42      | M 48       |
| O, mm                  | 60       | 60        | 80        | 112       | 125       | 150        |
| P (Geared trolley), mm | 108      | 110       | 112       | 112       | 117       | 165        |
| T (Area A), mm         | 280      | 290       | 305       | 320       | 364       | 440        |
| T (Area B), mm         | 400      | 410       | 425       | 440       | 484       | 540        |



Yalelift LHP, 500 - 3000 kg, single fall



Yalelift LHG, 500 - 3000 kg, single fall



Yalelift LHP/LHG, 5000 kg, double fall

